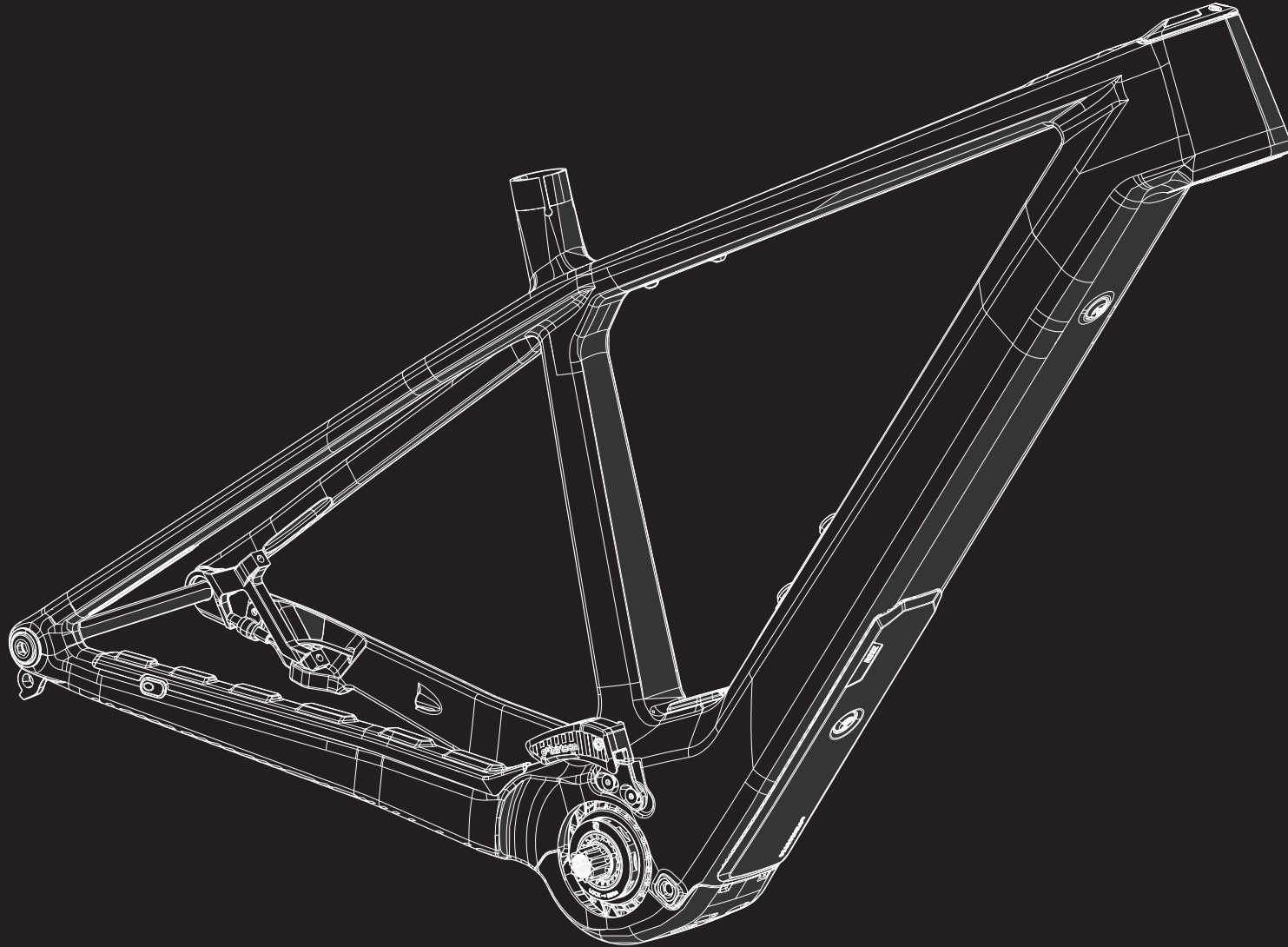


ROSE



ANY QUESTIONS?

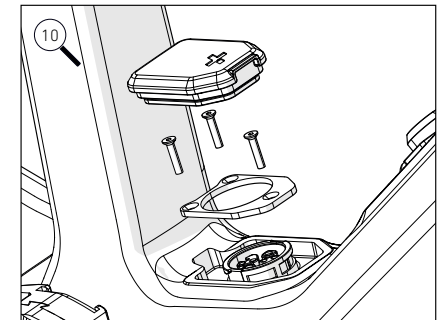
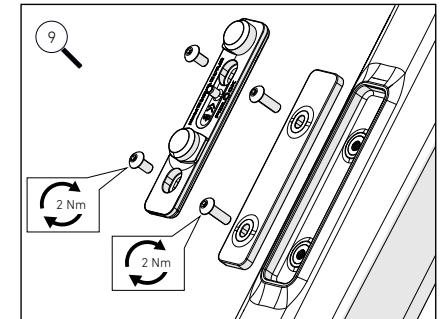
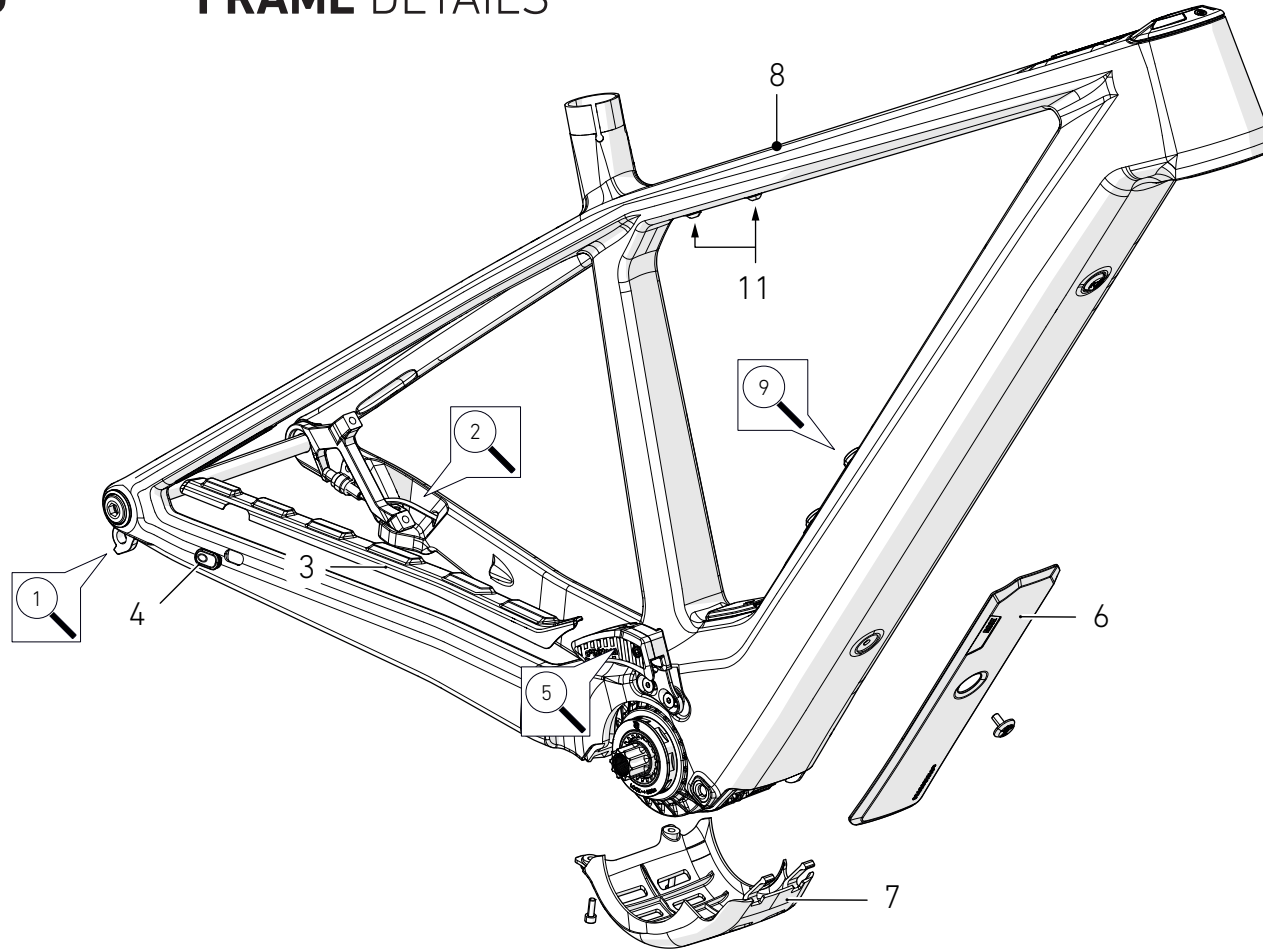
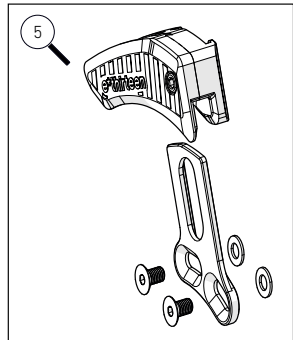
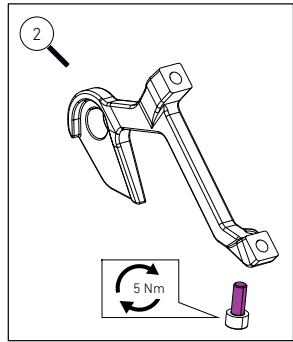
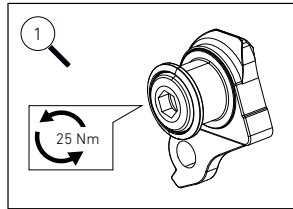
technik@rosebikes.com

ROSE Bikes GmbH
Schersweide 4
46395 Bocholt, Germany

B O N E R O P L U S

FRAME DETAILS

BONERO PLUS FRAME DETAILS



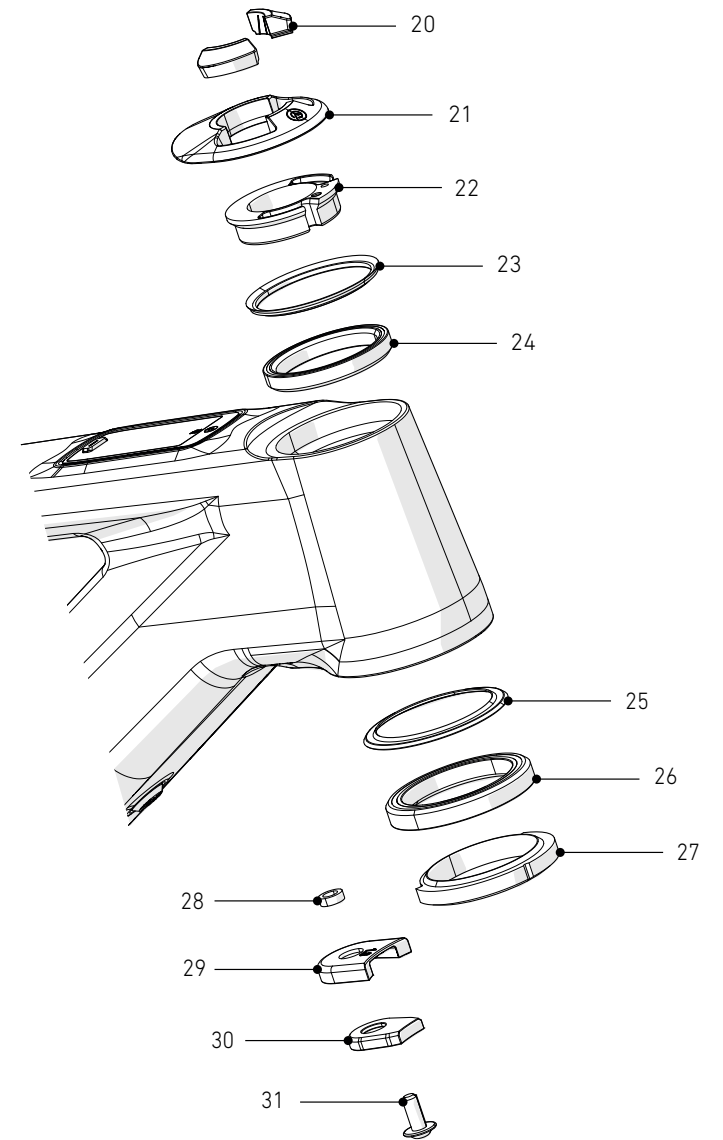
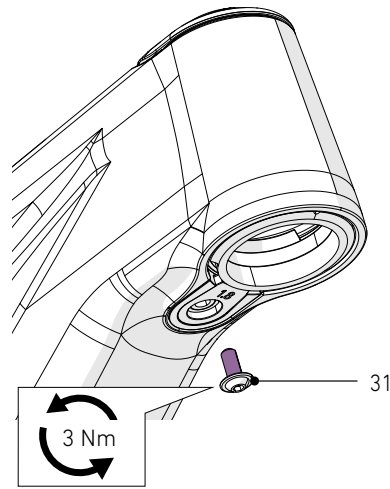
FRAME SPARE PARTS

POS.	DESCRIPTION	SPECIFICATIONS	ART. NR.
1	derailleur hanger	SRAM UDH	230116501
2	brake adapter	PM, including fixing screw	234713601
3	chainstay protector		234717401
4	CS exit grommet		234329901
5	chain device baseplate		234716401
	chain guide	service only!	232885401
	screw	M5 x 12 mm	234716801
	washer	M5	234716601
6	DT protector		234714101

POS.	DESCRIPTION	SPECIFICATIONS	ART. NR.
7	motor cover		234716001
	screw motor cover	M4 x 10 mm	234716201
8	frame		
9	Fidlock TWIST bike base		234846901
	screw Fidlock bike base	M5 x 10 mm	234791201
	bottle cage adapter		234714301
	screw bottle cage adapter	M5 x 16 mm	234791101
10	charge port cover		234714601
	charge port screws	M2.5 x 12 mm	234791301
	charge port mount		234715001
11	screws for tool mount	M5 x 16 mm	234791101
	THREADLOCKER	mid strength	for example 1322431

BONERO PLUS

FRAME DETAILS



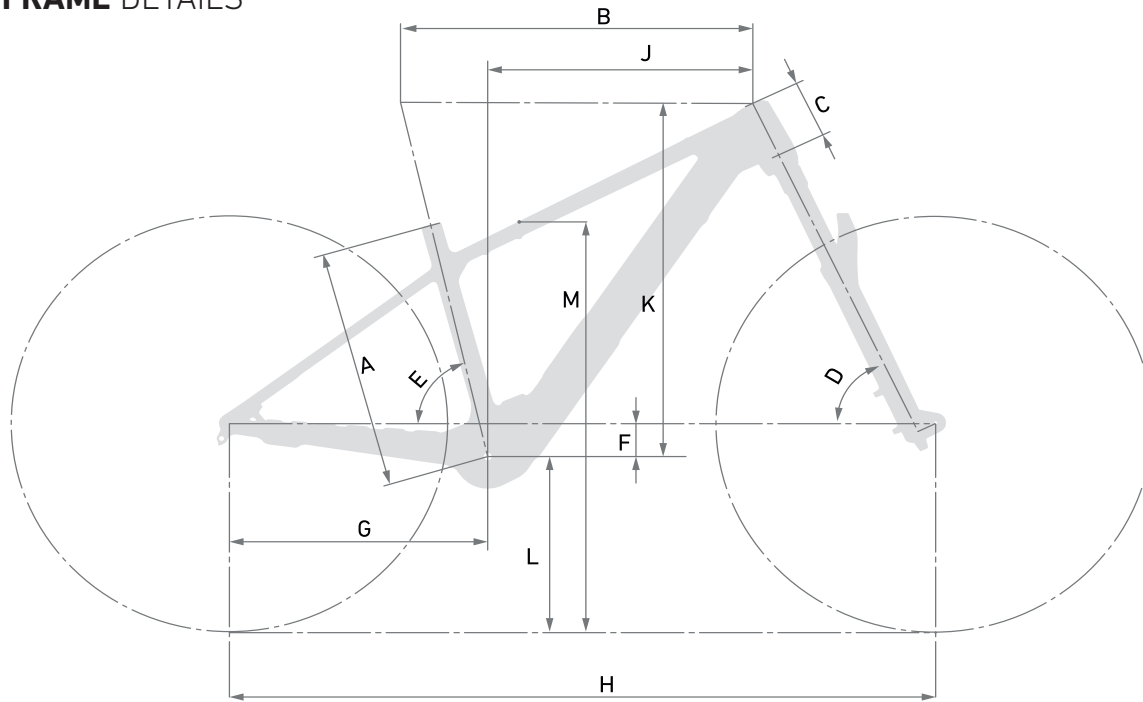
HEADSET SPARE PARTS

POS.	DESCRIPTION	SPECIFICATIONS	ART. NR.
headset			234515401
20	ICR plug		service only!
21	top cover		
22	compression ring		
23	upper headset sealing		
24	upper headset bearing	42 x 52 x 7 mm	
25	lower headset sealing		
26	lower headset bearing	46 x 60 x 8 mm	
27	base plate	1.5", Block-Lock 135°	
28	HIP* spacer		234715601
29	HIP* elastomer		234715201
30	HIP* stop plate		234715401
31	HIP* screw	M6x14 mm, ISO 7380-2 3 Nm, use Loctite 243	234715801
	THREADLOCKER	mid strength	for example 1322431

*HIP = Hidden Impact Protection

BONERO PLUS

FRAME DETAILS



FRAME GEOMETRY

SIZE		S	M	L	XL
SEATTUBE LENGTH [MM]	A	400	430	460	500
TOPTUBE LENGTH HORIZONTAL [MM]	B	582	611	644	678
HEAD TUBE LENGTH	C	100	100	115	135
HEAD TUBE ANGLE	D	65	65	65	65
SEAT TUBE ANGLE	E	76	76	76	76
BB DROP [MM]	F	60	60	60	60
REAR CENTER [MM] (CHAINSTAY LENGTH)	G	446	446	446	446
WHEELBASE [MM]	H	1186	1215	1253	1291
REACH [MM]	J	425	455	485	515
STACK [MM]	K	632	633	646	664
BB HEIGHT	L	318	318	318	318
STANDOVER HEIGHT [MM]	M	762	766	798	817
FORK-OFFSET	P	44	44	44	44

FRAME INTERFACES

HEADSET	IS52 IS60
REAR WHEEL AXLE	length: 180 mm, M12 x 1.0, thread length 13 mm / SRAM Maxle stealth rear for UDH use, Art.Nr. 230185901
DERAILLEUR HANGER	SRAM UDH, Art.Nr. 230116501
REAR BRAKE MOUNT	PM180
MAX Ø DISC BRAKE	203 mm
REAR HUB SPACING	12x148 mm
Ø SEATPOST	31.6 mm, internal dropper compatible
Ø SEATPOST CLAMP	34.9 mm, e.g. ROSE seat post clamp Art.Nr. 226113802
MAX. TIRE WIDTH	2.6"
WHEEL SIZE	29"
CHAINRING SIZE	34T
BOTTLE CAGE	yes, 1x

MAX SYSTEM WEIGHT (RIDER + BICYCLE + CLOTHING + GEAR + LUGGAGE): 130 KG

BICYCLE WEIGHT: 16.5 KG ± 5%

INTENDED USE: DIN 17406 CATEGORY 4